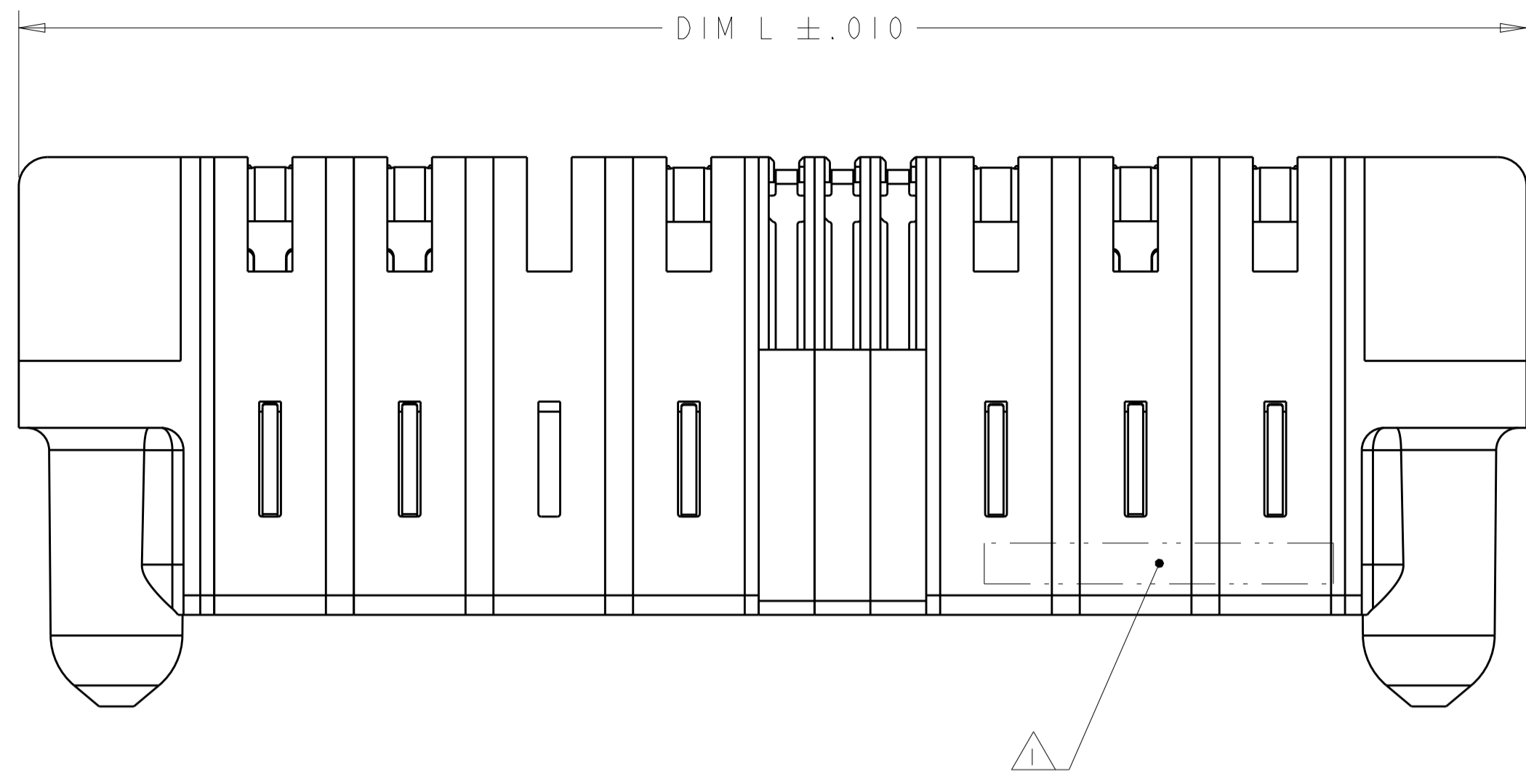
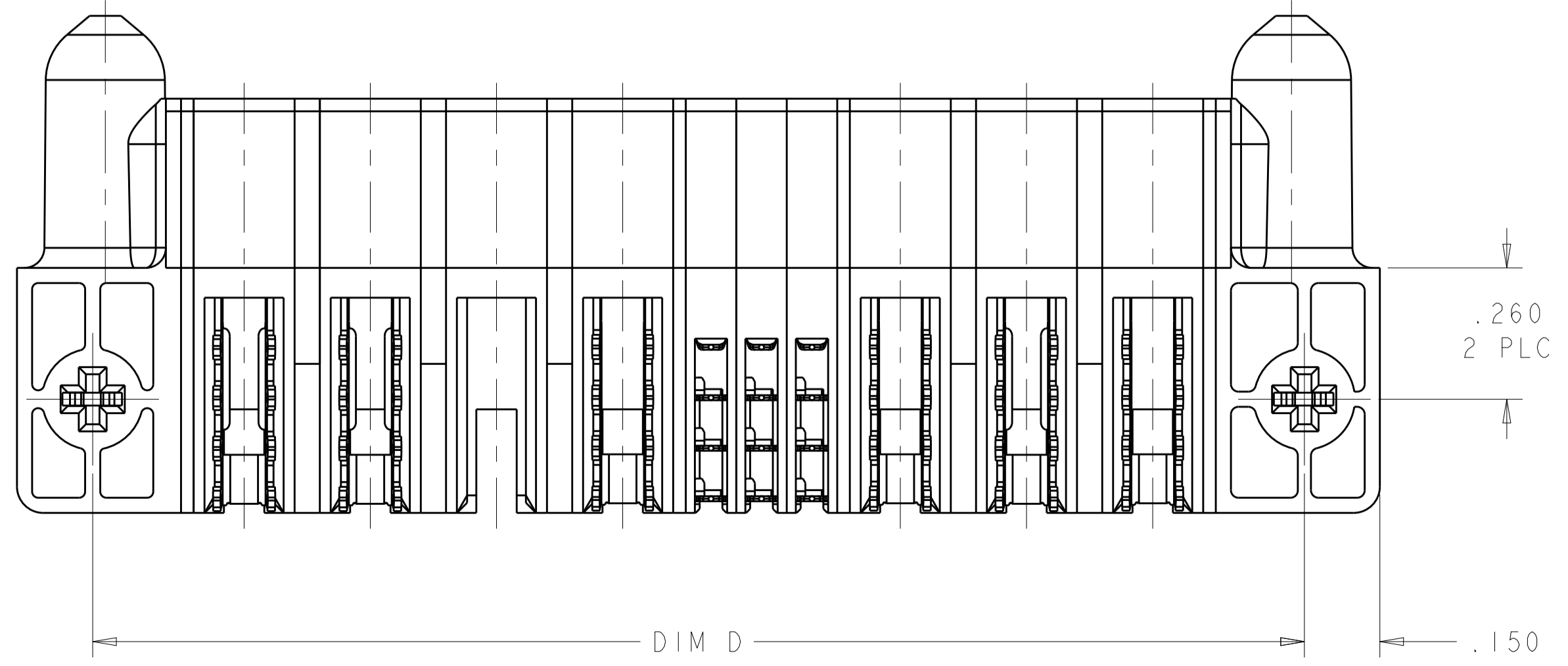
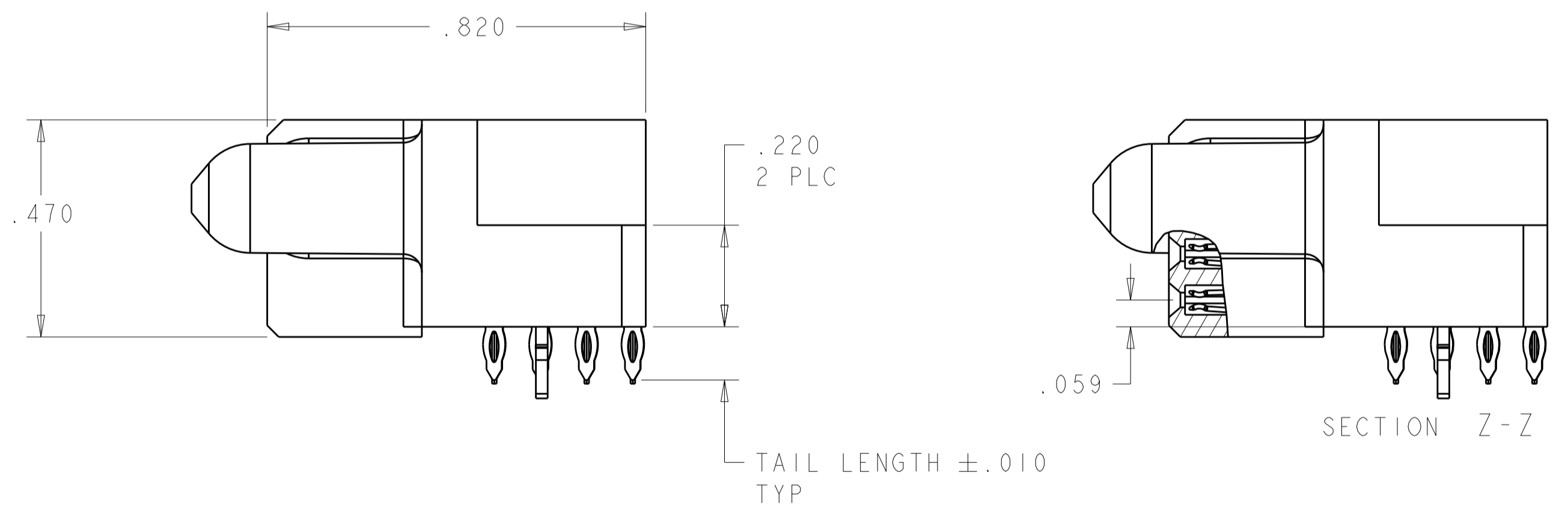
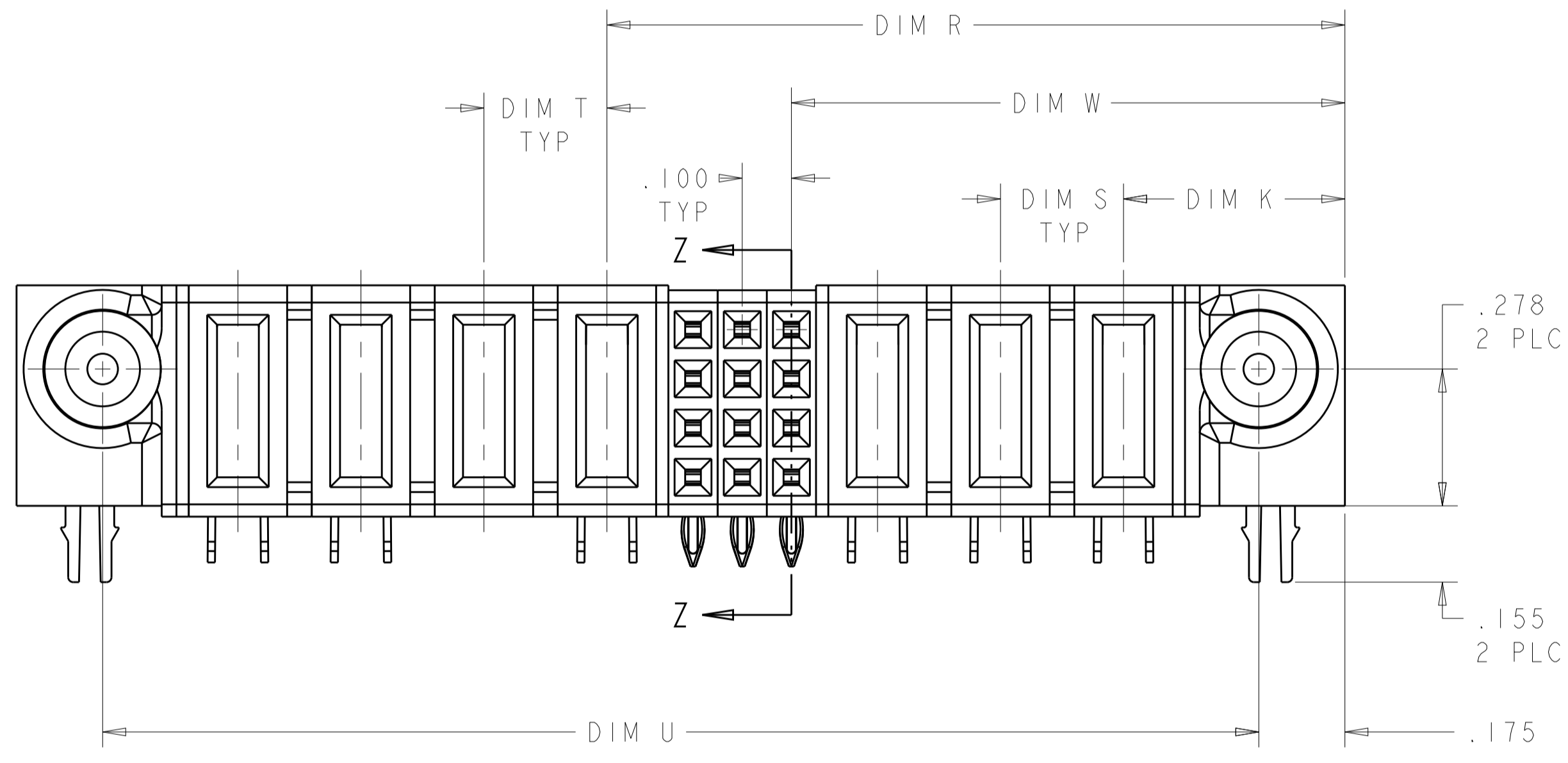


LOC		DIST		REVISIONS			
ES	00	P	LTN	DESCRIPTION	DATE	DWN	APVD
		H2		REV PER ECR-12-010534	11JUN2012	CZ	SZ
		H3		REV PER ECR-13-004638	20MAR2013	ML	SZ



- ① "AMP", PART NUMBER, AND DATE CODE TO BE MARKED IN AREA SHOWN
- ② MATERIAL: HOUSING - GLASS FILLED HIGH TEMP THERMO PLASTIC, UV94 V-0  
 SIGNAL CONTACT - HIGH CONDUCTIVITY COPPER ALLOY  
 POWER CONTACT - HIGH CONDUCTIVITY COPPER ALLOY
- ③ CONTACT PLATING: NOBLE METAL PLATING ON CONTACT FUNCTIONAL AREA OF POWER AND SIGNAL CONTACTS
- ④ MECHANICAL CONNECTOR KEEP OUT ZONE
- ⑤ DATUM AND BASIC DIMENSIONS ESTABLISHED BY CUSTOMER
- ⑥ PCB - ALL HOLE DIAMETERS ARE FINISHED HOLE SIZES
- ⑦ PCB - .0453 ±.0010 DRILLED HOLE PLATED WITH .0003 MIN Sn OVER .001-.003 PLATING TO ACHIEVE A .040 HOLE



.150	.119	3.700	.250	.250	2.850	1.375	3.750	-	4.050	.450	4P + 56S + 4P	1-6450560-9
.150	.119	2.900	.250	.250	2.050	1.375	2.950	-	3.250	.450	4P + 24S + 4P	1-6450560-7
NO	.119	5.100	.250	.250	3.250	2.375	5.150	-	5.450	.450	8P + 32S + 8P	1-6450560-6
.150	.119	2.850	.250	.250	2.500	1.875	2.900	-	3.200	.450	6P + 20S + 2P	1-6450560-5
.150	.119	2.000	.250	.250	1.650	.925	2.050	-	2.350	.450	2P + 24S + 2P	1-6450560-3
.150	.119	1.900	.250	.250	1.550	.875	1.950	-	2.250	.450	2P + 24S + 2P	1-6450560-2
.150	.165	2.300	.200	.200	1.600	1.225	2.350	-	2.650	.450	4P + 12S + 4P	1-6450560-1
NO	.165	3.800	.250	.250	3.450	.875	3.850	-	4.150	.450	2P + 100S + 2P	6450560-8
.150	.119	2.600	.250	.250	2.250	1.925	2.650	-	2.950	.450	6P + 8S + 2P	6450560-6
NO	.165	4.000	.200	.200	2.700	1.825	4.050	-	4.350	.450	7HDP + 32S + 7HDP	6450560-4
NO	.119	1.200	-	-	1.100	.625	1.250	-	1.550	.450	1P + 16S + 1P	6450560-3
NO	.119	3.600	.250	.250	2.500	1.625	3.650	-	3.950	.450	5P + 32S + 5P	6450560-2
NO	.119	2.350	.250	.250	1.500	1.125	2.400	-	2.700	.450	3P + 12S + 4P	6450560-1
MOUNTING HOLES	TAIL LENGTH	U	T	S	R	W	D	M	L	K	DESCRIPTION	PART NUMBER

THIS DRAWING IS A CONTROLLED DOCUMENT. DWN: R. GRZYBOWSKI 09MAR05  
 CHK: M. PERCHERKE 09MAR05  
 APVD: M. PERCHERKE

DIMENSIONS: INCHES. TOLERANCES UNLESS OTHERWISE SPECIFIED:  
 0 PLC ±.01  
 1 PLC ±.01  
 2 PLC ±.01  
 3 PLC ±.005  
 4 PLC ±.002  
 ANGLES ±.2°

MATERIAL: FINISH: ② ③

Customer Drawing

NAME: RIGHT ANGLE RECEPTACLE ASSEMBLY WITH GUIDES MULTI-BEAM XL  
 PRODUCT SPEC: 108-1973  
 APPLICATION SPEC: 114-13038

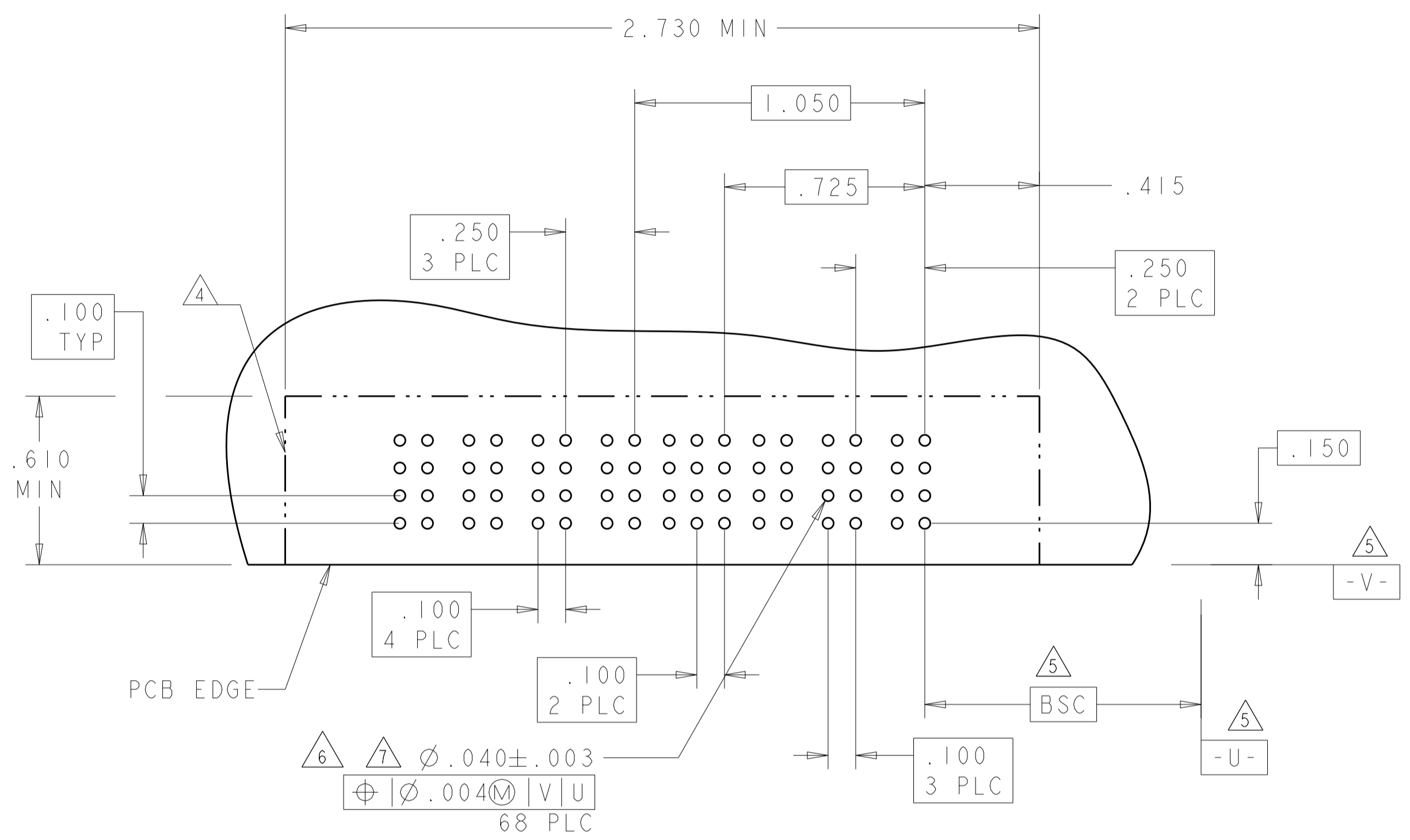
SIZE: A1 00779 C=6450560  
 SCALE: 4:1 SHEET 1 OF 7 REV: H3

LOC	DIST	REV	DATE	APPD
ES	00			

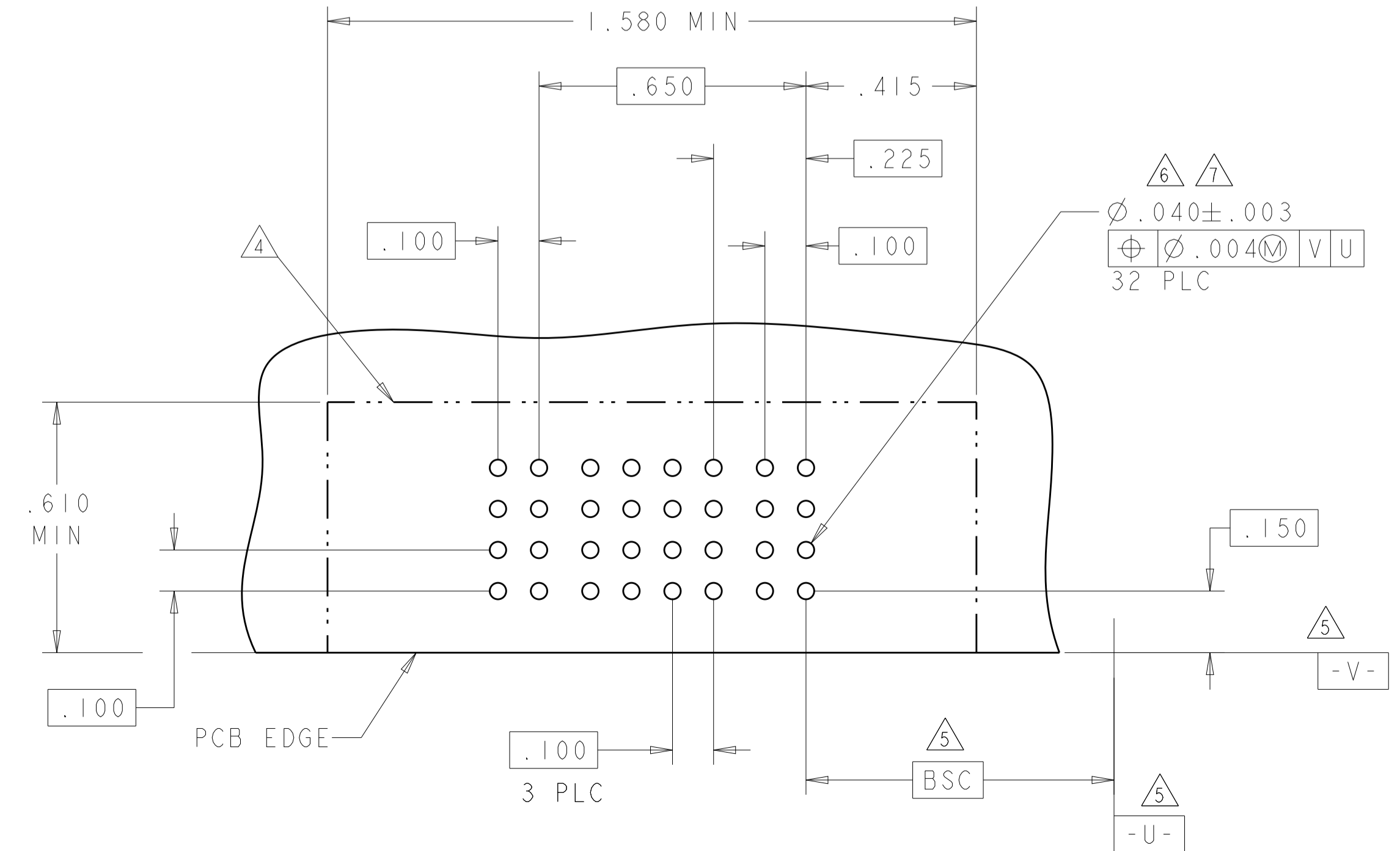
  

REVISIONS		DATE	OWN	APPD
	SEE SHEET 1			

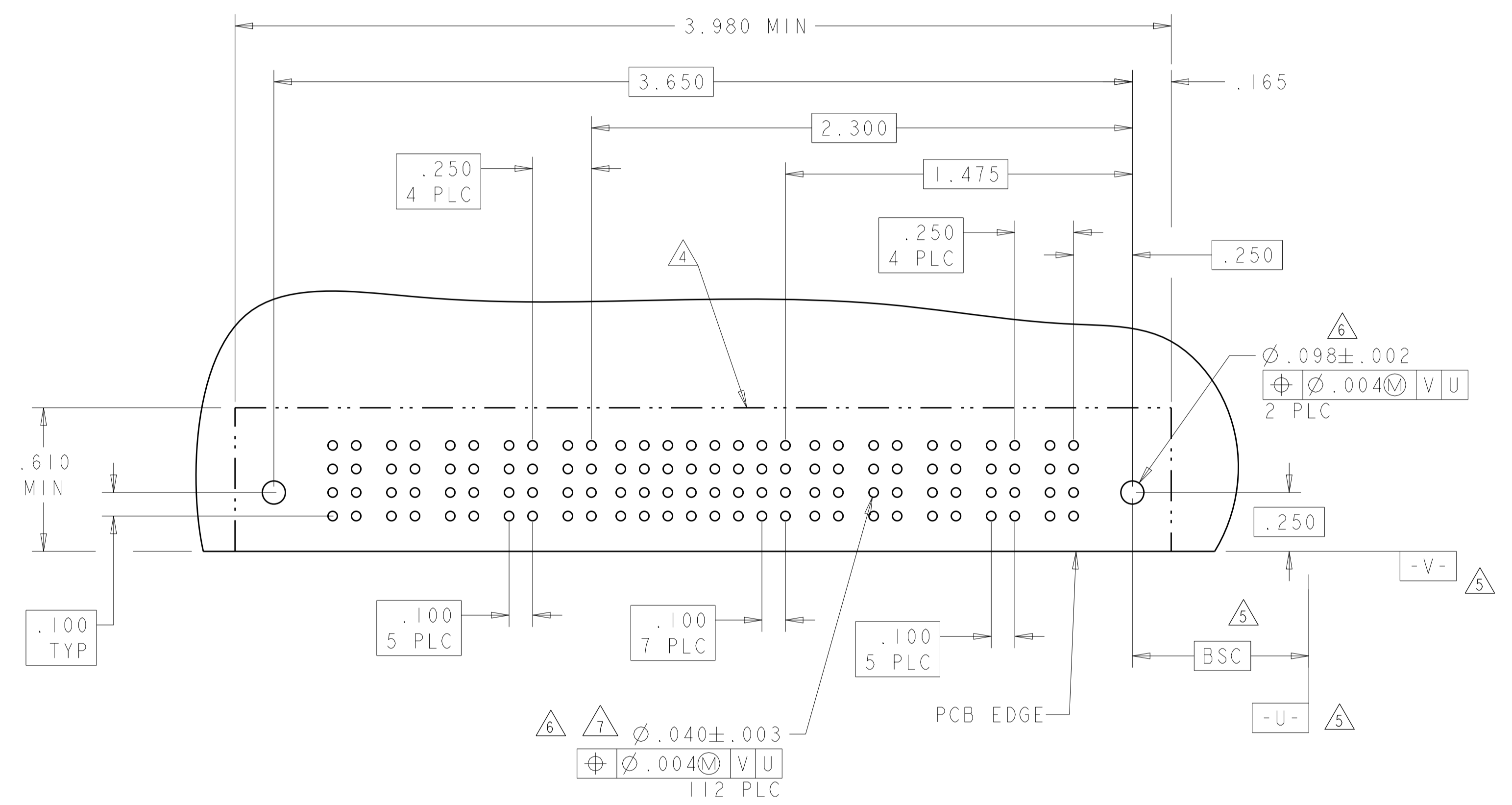
PART NUMBER	ROWS	POWER				SIGNAL			POWER		
		P7	P6	P5	P4	3	2	1	P3	P2	P1
6450560-1	D C B A	RS	RS	RP	D	D	D	RP	RS	RP	
					C	C	C				
					B	B	B				
					A	A	A				
3P + 12S + 4P											



PART NUMBER	ROWS	POWER		SIGNAL				POWER
		P2	P1	4	3	2	1	
6450560-3	D C B A	RP	RP	D	D	D	D	RP
				C	C	C	C	
				B	B	B	B	
				A	A	A	A	
1P + 16S + 1P								



PART NUMBER	ROWS	POWER					SIGNAL								POWER				
		P10	P9	P8	P7	P6	8	7	6	5	4	3	2	1	P5	P4	P3	P2	P1
6450560-2	D C B A	RP	RP	RP	RP	RP	D	D	D	D	D	D	D	D	RP	RP	RP	RP	RP
							C	C	C	C	C	C	C	C					
							B	B	B	B	B	B	B	B					
							A	A	A	A	A	A	A	A					
5P + 32S + 5P																			



CODE	TAIL LENGTH	DESCRIPTION
RK		PRESS FIT MFBL
RL		PRESS FIT STD
RP		PRESS FIT MFBL
RS		PRESS FIT STD
POWER CONTACT		
DD		PRESS FIT D
CC		PRESS FIT C
BB		PRESS FIT B
AA		PRESS FIT A
D		PRESS FIT D
C		PRESS FIT C
B		PRESS FIT B
A		PRESS FIT A
SIGNAL CONTACT		

DD	PRESS FIT	D
CC	PRESS FIT	C
BB	PRESS FIT	B
AA	PRESS FIT	A
D	PRESS FIT	D
C	PRESS FIT	C
B	PRESS FIT	B
A	PRESS FIT	A
CODE	TAIL LENGTH	ROW
SIGNAL CONTACT		

THIS DRAWING IS A CONTROLLED DOCUMENT.

OWN: R. GRZYBOWSKI 09MAR05  
 CHK: M. PERCHERKE 09MAR05  
 APVD: M. PERCHERKE

DIMENSIONS: INCHES  
 TOLERANCES UNLESS OTHERWISE SPECIFIED:  
 0 PLC ±.  
 1 PLC ±.01  
 2 PLC ±.01  
 3 PLC ±.005  
 4 PLC ±.002  
 ANGLES ± 2°

MATERIAL: .  
 FINISH: .

PRODUCT SPEC: 108-1973  
 APPLICATION SPEC: 114-13038  
 WEIGHT: .  
 Customer Drawing

NAME: RIGHT ANGLE RECEPTACLE ASSEMBLY WITH GUIDES MULTI-BEAM XL  
 SIZE: CAGE CODE DRAWING NO: A100779  
 DRAWING NO: C=6450560  
 SCALE: 4:1 SHEET 2 OF 7 REV: H3

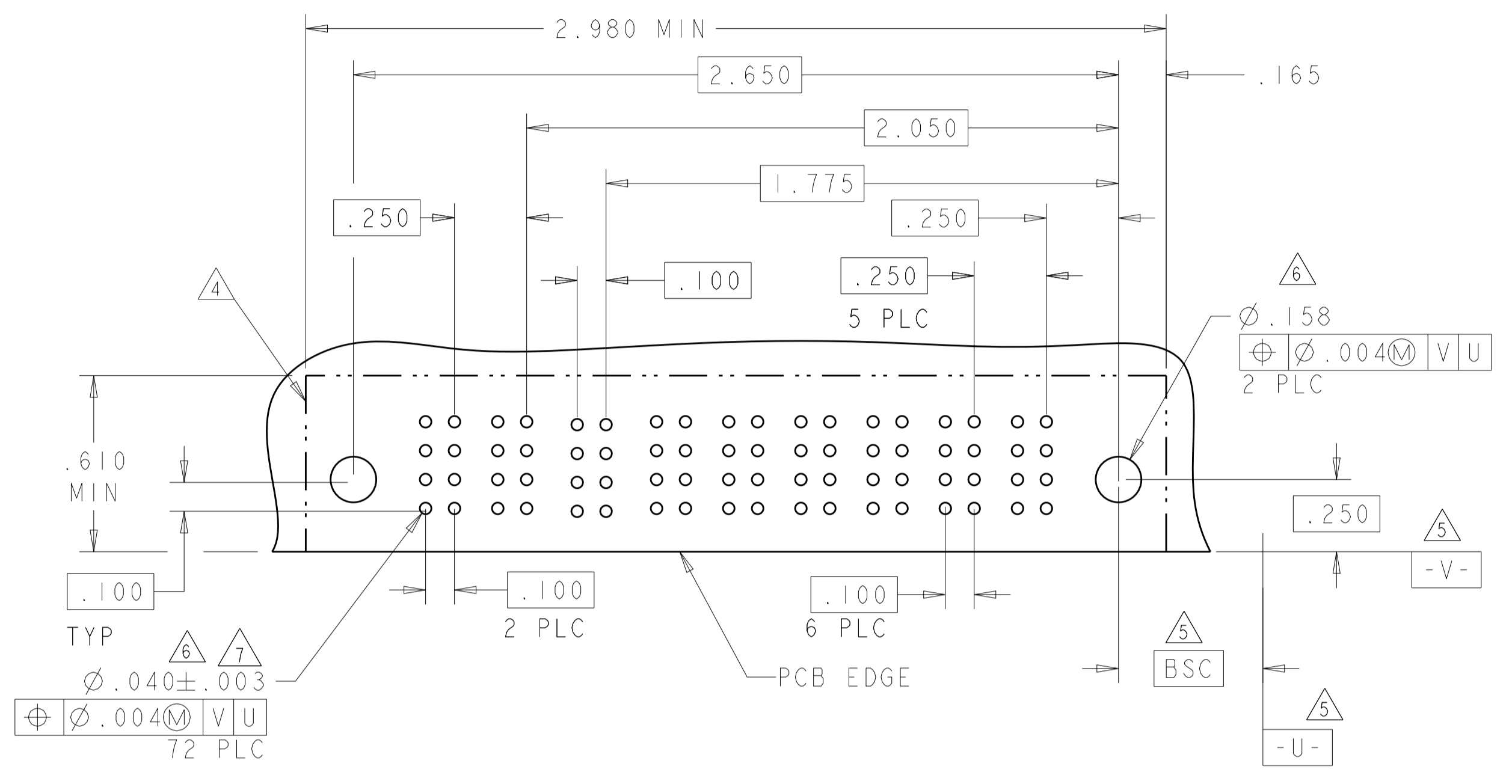
STE TE Connectivity

THIS DRAWING IS UNPUBLISHED. RELEASED FOR PUBLICATION.  
COPYRIGHT 20 BY . ALL RIGHTS RESERVED.

LOC	DIST	REV	DATE	BY	APPV
ES	00	1			
SEE SHEET 1					

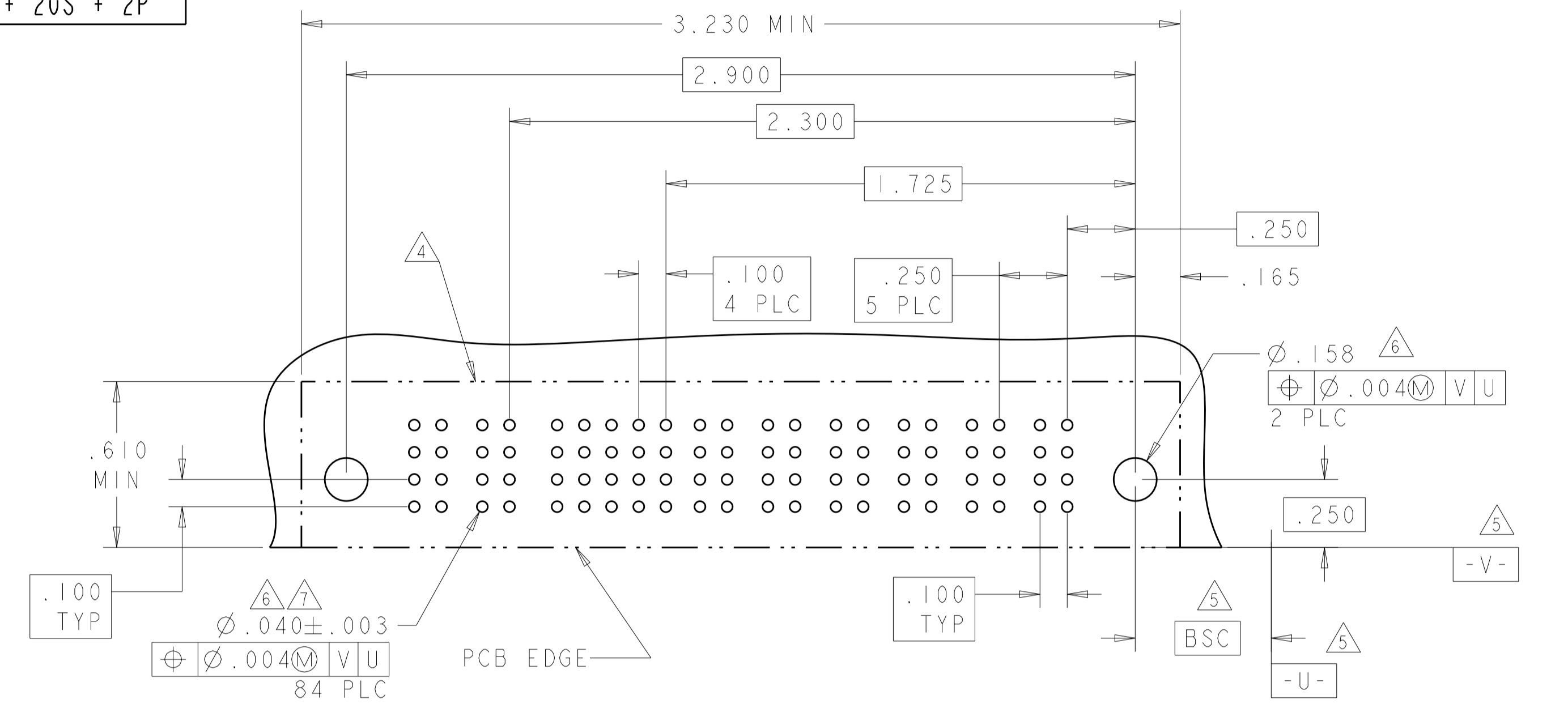
PART NUMBER	ROWS	POWER		SIGNAL							POWER								
		P8	P7	2	1	P6	P5	P4	P3	P2	P1								
6450560-6	D C B A	RP	RP	D	D							RP	RP	RP	RP	RP	RP		
				C	C														
				B	B														
				A	A														

6P + 8S + 2P



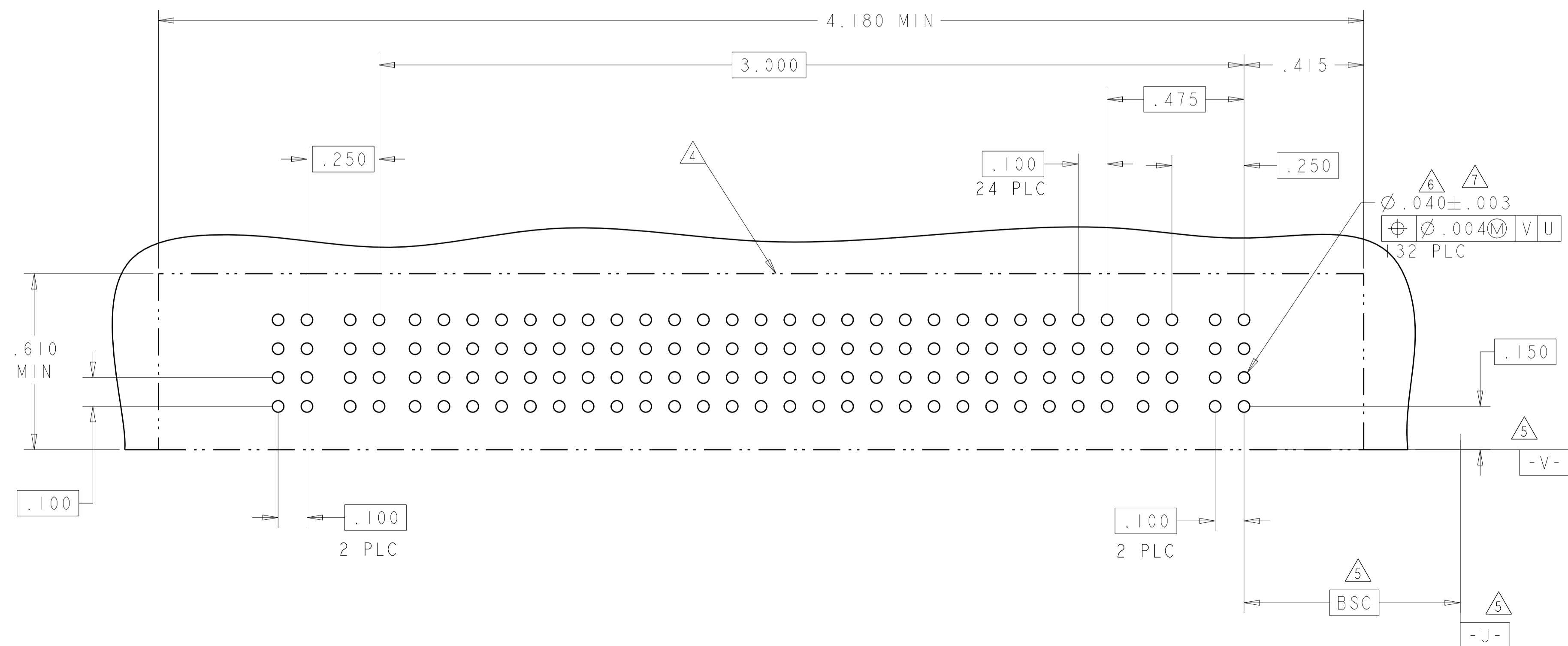
PART NUMBER	ROWS	POWER		SIGNAL					POWER							
		P8	P7	5	4	3	2	1	P6	P5	P4	P3	P2	P1		
1-6450560-5	D C B A	RP	RP	D	D	D	D	D								
				C	C	C	C	C								
				B	B	B	B	B								
				A	A	A	A	A								

6P + 20S + 2P



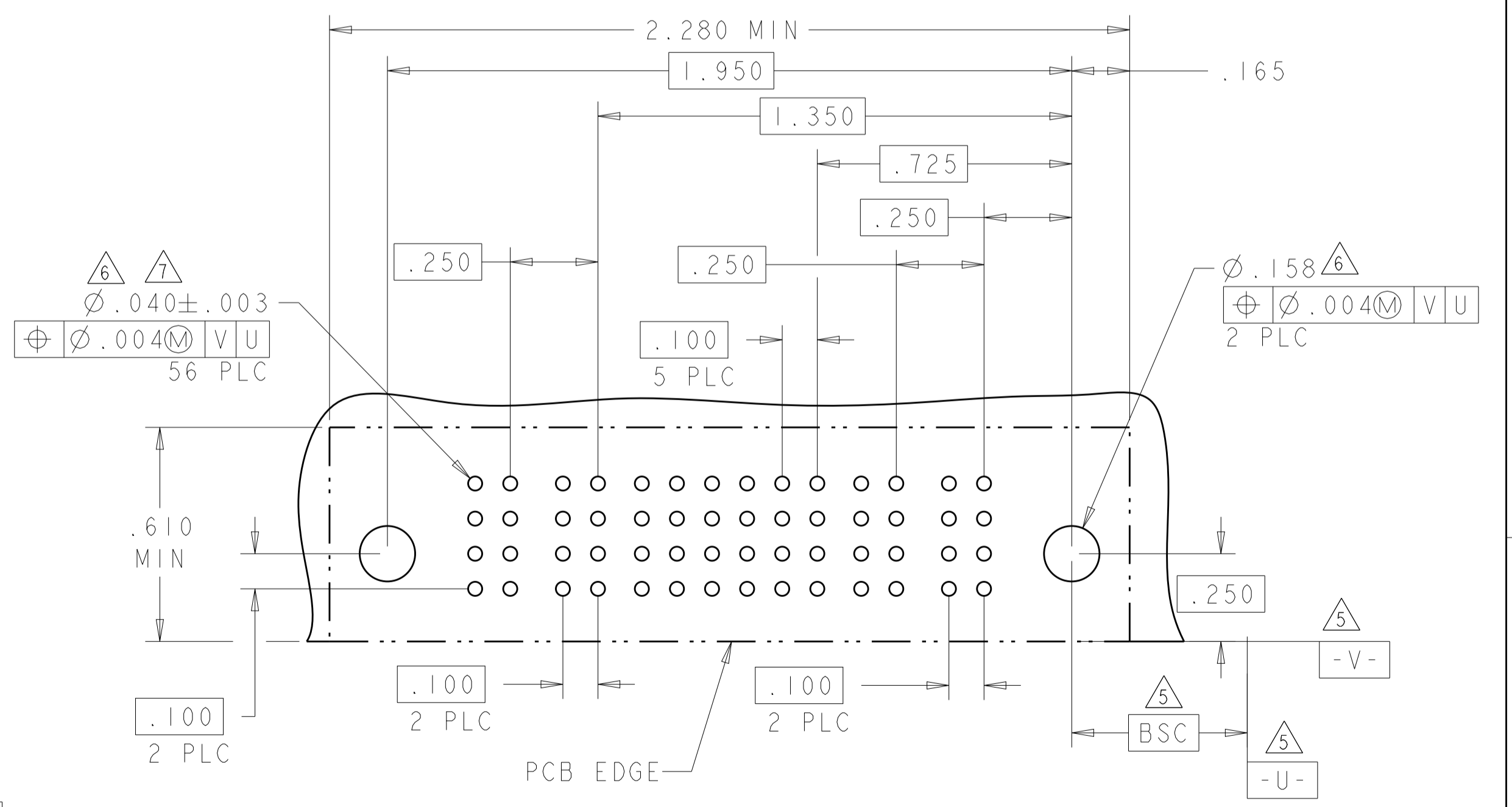
PART NUMBER	ROWS	POWER		SIGNAL																				POWER													
		P4	P3	25	24	23	22	21	20	19	18	17	16	15	14	13	12	11	10	9	8	7	6	5	4	3	2	1	P2	P1							
6450560-8	D C B A	RL	RL	DD	DD	DD	DD	DD	DD	DD	DD	DD	DD	DD	DD	DD	DD	DD	DD	DD	DD	DD	DD	DD	DD	DD	DD	DD	DD	DD	DD	DD	DD	DD	DD		
				CC	CC	CC	CC	CC	CC	CC	CC	CC	CC	CC	CC	CC	CC	CC	CC	CC	CC	CC	CC	CC	CC	CC	CC	CC	CC	CC	CC	CC	CC	CC	CC	CC	
				BB	BB	BB	BB	BB	BB	BB	BB	BB	BB	BB	BB	BB	BB	BB	BB	BB	BB	BB	BB	BB	BB	BB	BB	BB	BB	BB	BB	BB	BB	BB	BB	BB	BB
				AA	AA	AA	AA	AA	AA	AA	AA	AA	AA	AA	AA	AA	AA	AA	AA	AA	AA	AA	AA	AA	AA	AA	AA	AA	AA	AA	AA	AA	AA	AA	AA	AA	AA

2P + 100S + 2P



PART NUMBER	ROWS	POWER		SIGNAL					POWER				
		P4	P3	6	5	4	3	2	1	P2	P1		
1-6450560-2	D C B A	RP	RP	D	D	D	D	D	D				
				C	C	C	C	C	C				
				B	B	B	B	B	B				
				A	A	A	A	A	A				

2P + 24S + 2P

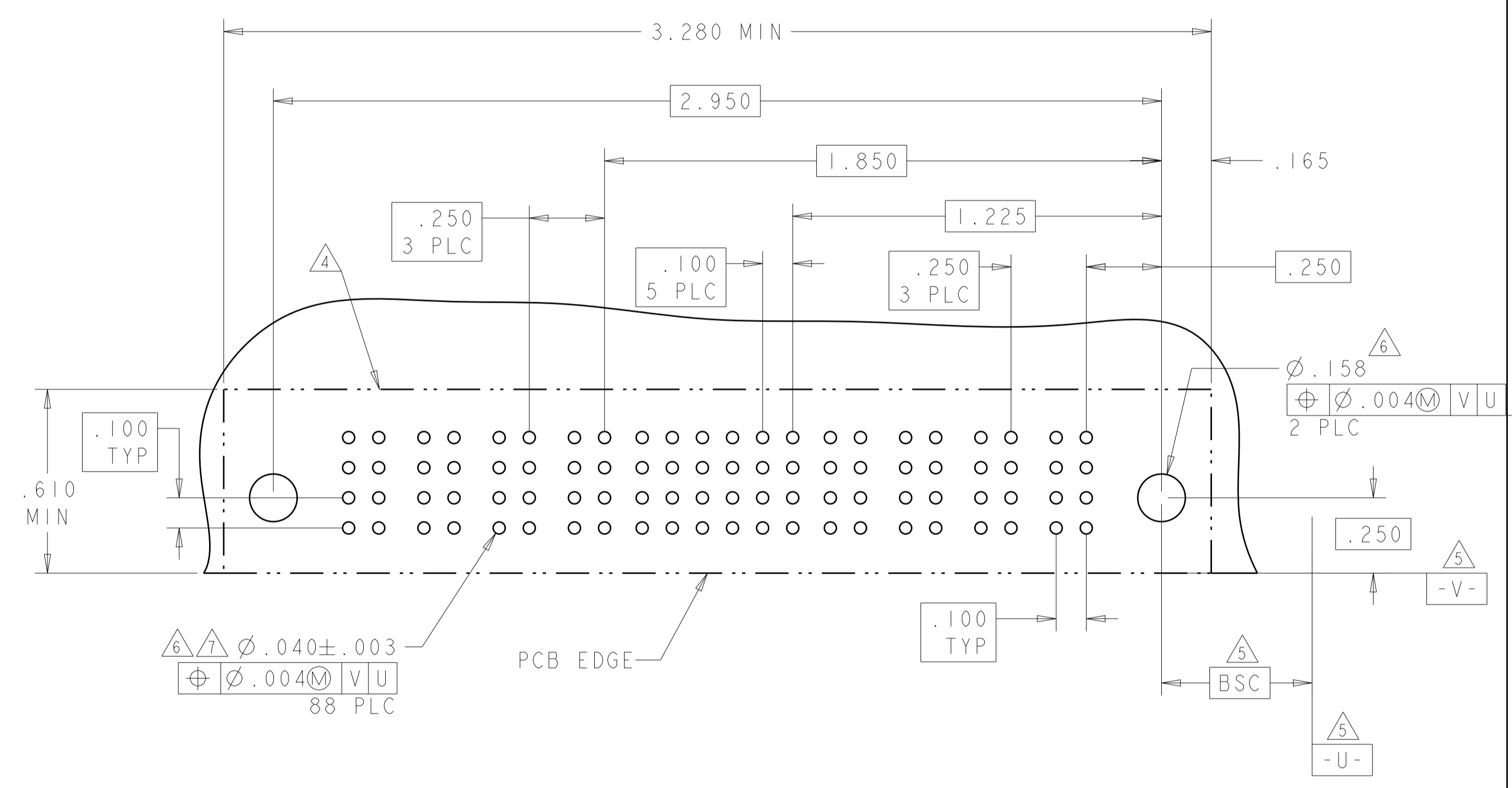
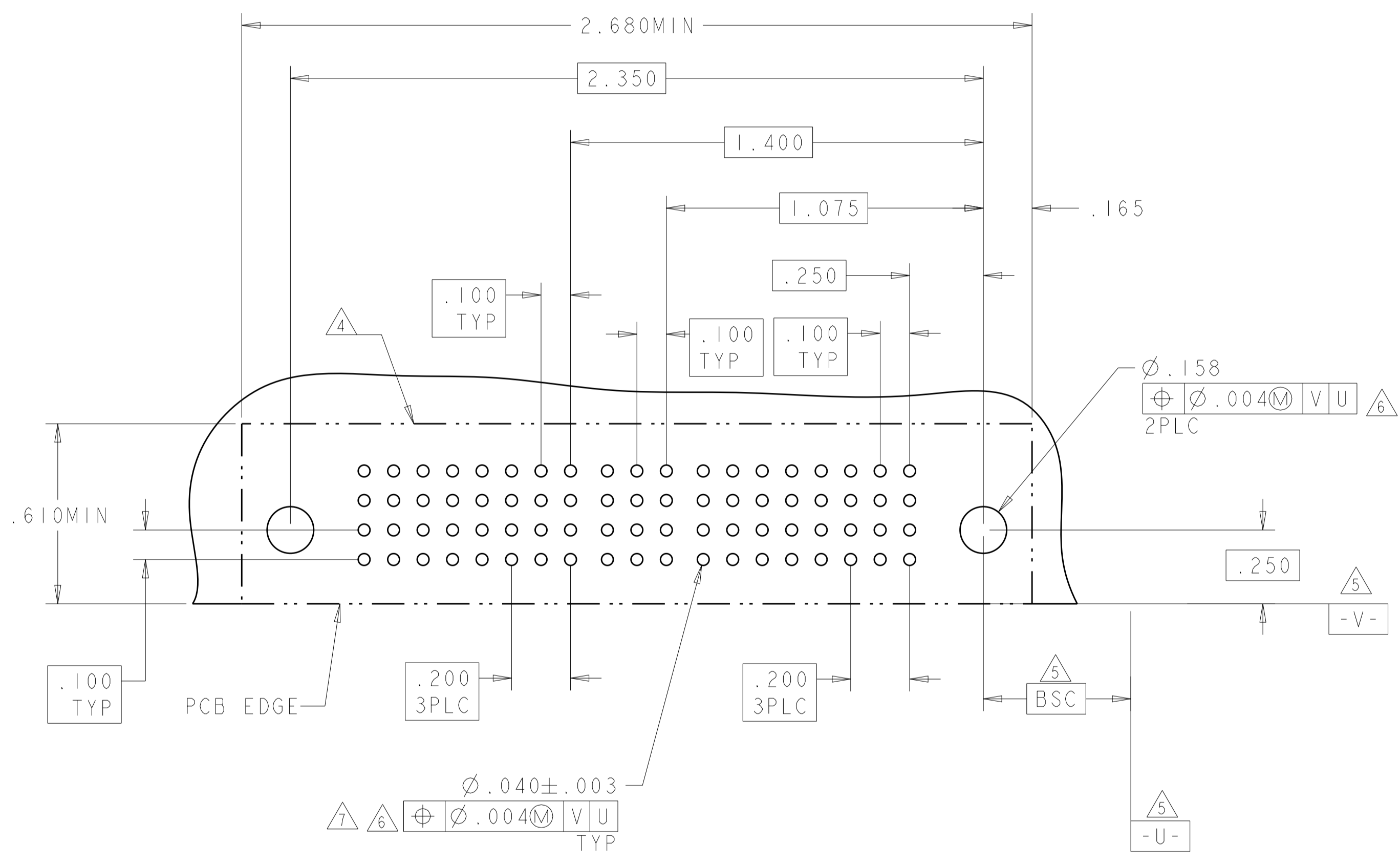


THIS DRAWING IS A CONTROLLED DOCUMENT. OWN: B. GRZYBOWSKI, OSMAROS; CHK: M. PERCHERKE, OSMAROS; APV: M. PERCHERKE. DIMENSIONS: INCHES. TOLERANCES UNLESS OTHERWISE SPECIFIED: 0 PLC ±.01, 1 PLC ±.01, 2 PLC ±.01, 3 PLC ±.01, 4 PLC ±.01, 5 PLC ±.01, ANGLES ±.020. MATERIAL: FINISH: . NAME: RIGHT ANGLE RECEPTACLE ASSEMBLY WITH GUIDES MULTI-BEAM XL. SIZE: CAGE CODE DRAWING NO: A100779C=6450560. RESTRICTED TO: Customer Drawing. SCALE: 4:1 SHEET 3 OF 7 REV: H3

LOC		DIST		REVISONS			
ES	00	P	LYN	DESCRIPTION	DATE	OWN	APVD
				SEE SHEET 1			

PART NUMBER	ROWS	POWER				SIGNAL			POWER			
		P8	P7	P6	P5	3	2	1	P4	P3	P2	P1
I-6450560-1	D C B A	RL	RL	RL	RL	DD	DD	DD	RL	RL	RL	RL
						CC	CC	CC				
						BB	BB	BB				
						AA	AA	AA				
4P + 12S + 4P												

PART NUMBER	ROWS	POWER				SIGNAL					POWER				
		P8	P7	P6	P5	6	5	4	3	2	1	P4	P3	P2	P1
I-6450560-7	D C B A	RS	RS	RS	RS	D	D	D	D	D	D	RS	RS	RS	RS
						C	C	C	C	C	C				
						B	B	B	B	B	B				
						A	A	A	A	A	A				
4P + 24S + 4P															



THIS DRAWING IS A CONTROLLED DOCUMENT.		OWN R. GRZYBOWSKI	09MAR05	<b>STE</b> TE Connectivity
DIMENSIONS: INCHES		CHK M. PERCHERKE	09MAR05	
TOLERANCES UNLESS OTHERWISE SPECIFIED:		APVD M. PERCHERKE	NAME	RIGHT ANGLE RECEPTACLE ASSEMBLY WITH GUIDES MULTI-BEAM XL
0 PLC ± .01		PRODUCT SPEC	108-1973	
1 PLC ± .01		APPLICATION SPEC	114-13038	SIZE CAGE CODE DRAWING NO
2 PLC ± .005		WEIGHT	A100779	RESTRICTED TO
3 PLC ± .005		FINISH	C=6450560	SCALE 4:1 SHEET 4 OF 7 REV H3
4 PLC ± .0020		MATERIAL	Customer Drawing	
ANGLES ± .0020				

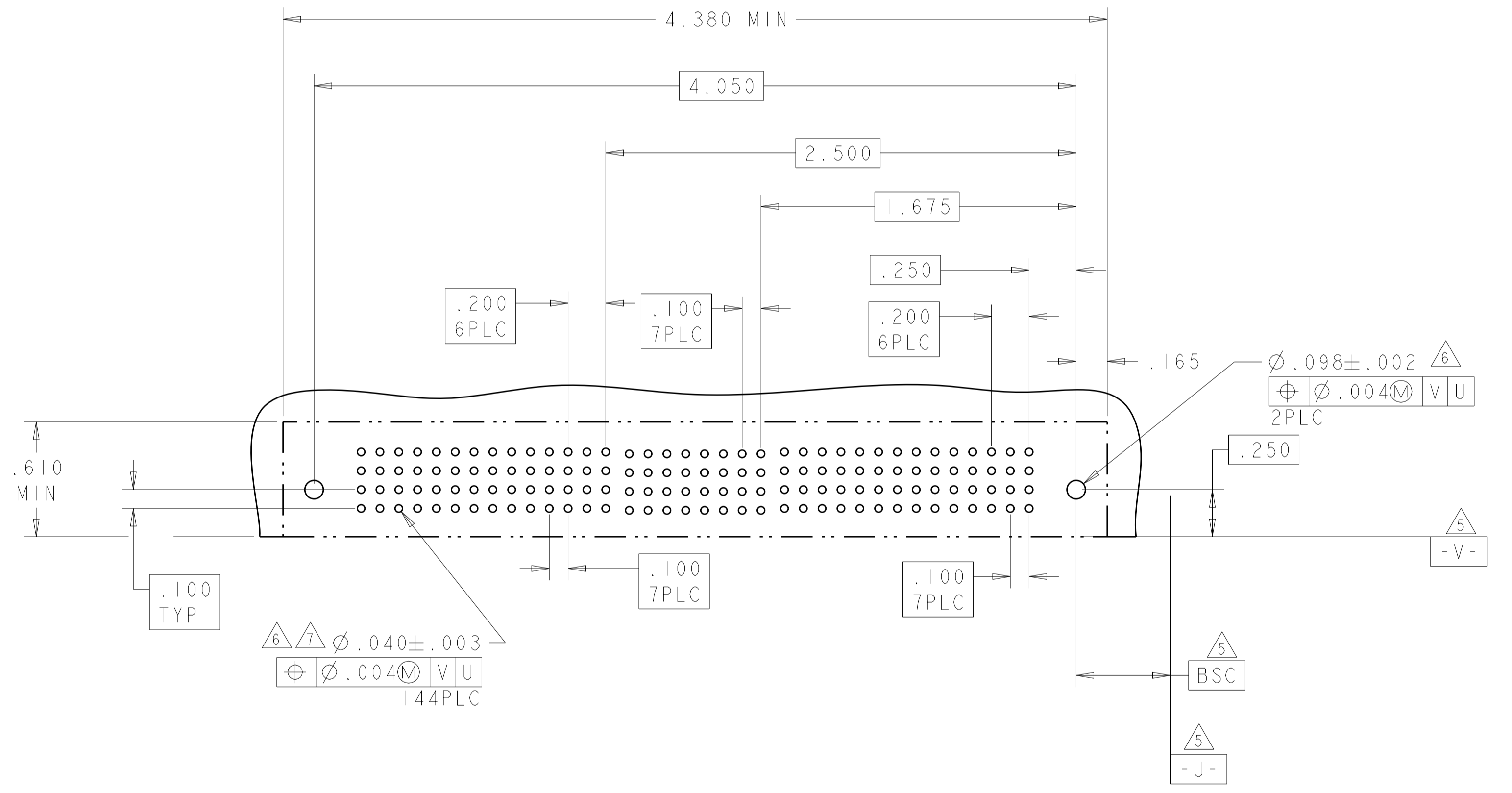
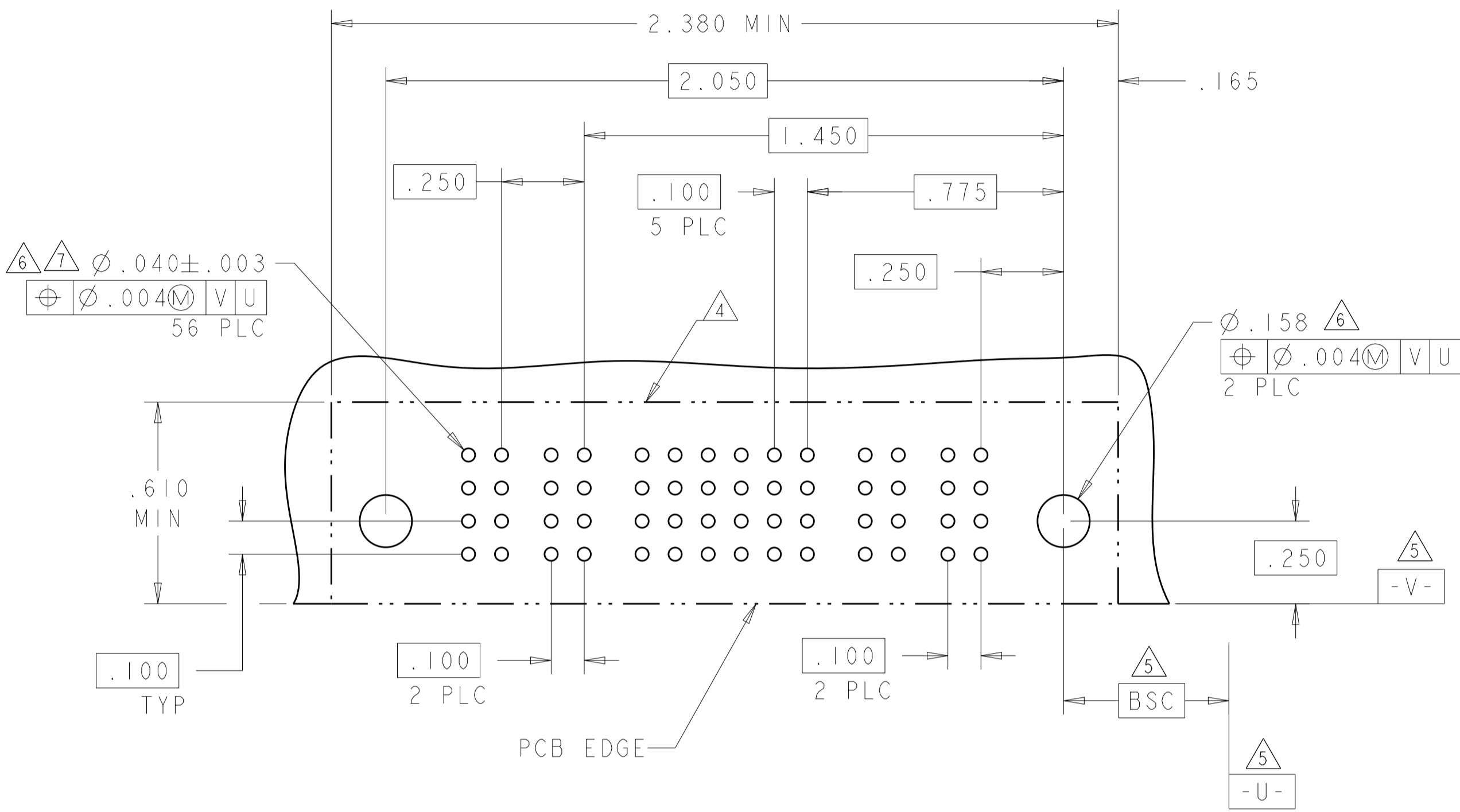
LOC	DIST	REV	DATE	BY	APPV
ES	00				

REVISIONS			
NO.	DESCRIPTION	DATE	BY
-	SEE SHEET 1	-	-

PART NUMBER	ROWS	POWER		SIGNAL						POWER	
		P4	P3	6	5	4	3	2	1	P2	P1
1-6450560-3	D C B A	RS	RS	D	D	D	D	D	D	RS	RS
				C	C	C	C	C	C		
				B	B	B	B	B	B		
2P + 24S + 2P											

PART NUMBER	ROWS	POWER							SIGNAL								POWER								
		P14	P13	P12	P11	P10	P9	P8	8	7	6	5	4	3	2	1	P7	P6	P5	P4	P3	P2	P1		
6450560-4	D C B A	RK	RK	RK	RK	RK	RK	RK	DD	DD	DD	DD	DD	DD	DD	RK	RK	RK	RK	RK	RK	RK	RK		
									CC	CC	CC	CC	CC	CC	CC									CC	
									BB	BB	BB	BB	BB	BB	BB									BB	
7HDP + 32S + 7HDP																									

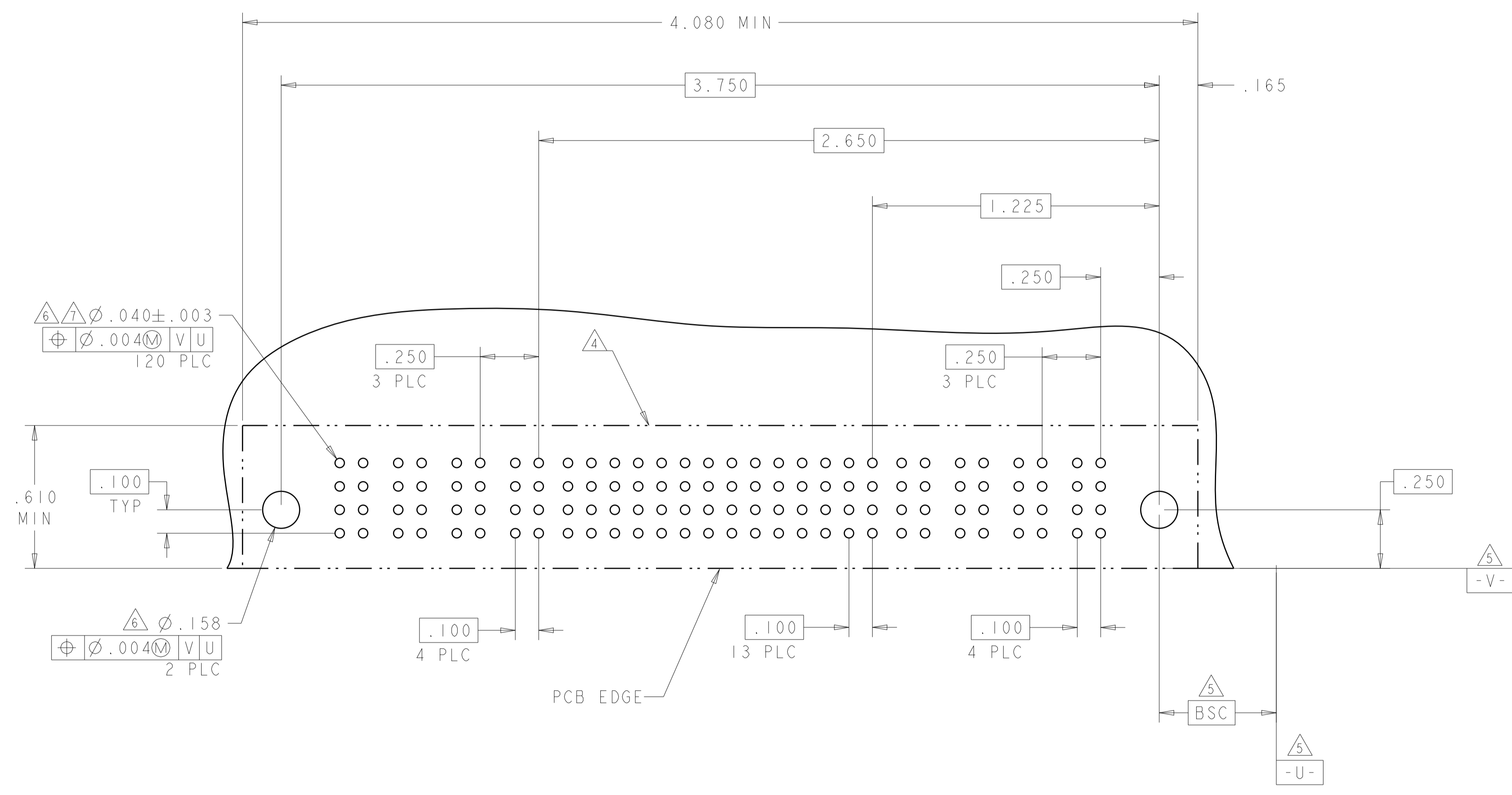


THIS DRAWING IS A CONTROLLED DOCUMENT.

DIMENSIONS:	TOLERANCES UNLESS OTHERWISE SPECIFIED:	OWN: R. GRZYBOWSKI 09MAR05	CHK: M. PERCHERKE 09MAR05	APVD: M. PERCHERKE	NAME: RIGHT ANGLE RECEPTACLE ASSEMBLY WITH GUIDES MULTI-BEAM XL
INCHES	0 PLC ± .010 1 PLC ± .008 2 PLC ± .006 3 PLC ± .005 4 PLC ± .004 ANGLES ± .0020	PRODUCT SPEC: 108-1973	APPLICATION SPEC: 114-13038	WEIGHT: -	RESTRICTED TO: -
MATERIAL: -	FINISH: -	SIZE: A1	CAGE CODE: -	DRAWING NO: 6450560	SCALE: 4:1
Customer Drawing				SHEET: 5	OF: 7

4805 (3/11)

PART NUMBER	ROWS	POWER				SIGNAL												POWER										
		P8	P7	P6	P5	14	13	12	11	10	9	8	7	6	5	4	3	2	1	P4	P3	P2	P1					
		I-6450560-9	D C B A	RS	RS	RS	RS	D	D	D	D	D	D	D	D	D	D	D	D	D	D	D	D	D	D	D	RS	RS
4P + 56S + 4P						A	A	A	A	A	A	A	A	A	A	A	A	A	A	A	A	A	A	A				



THIS DRAWING IS A CONTROLLED DOCUMENT. DWG: R.GRZYBOWSKI / 09MAR05  
 CHK: M.PERCHEK / 09MAR05

INCHES: 0 PLC ±, 1 PLC ±.01, 2 PLC ±.01, 3 PLC ±.005, 4 PLC ±.002

NAME: RIGHT ANGLE RECEPTACLE ASSEMBLY WITH GUIDES MULTI-BEAM XL

PRODUCT SPEC: 108-1973  
 APPLICATION SPEC: 114-13038

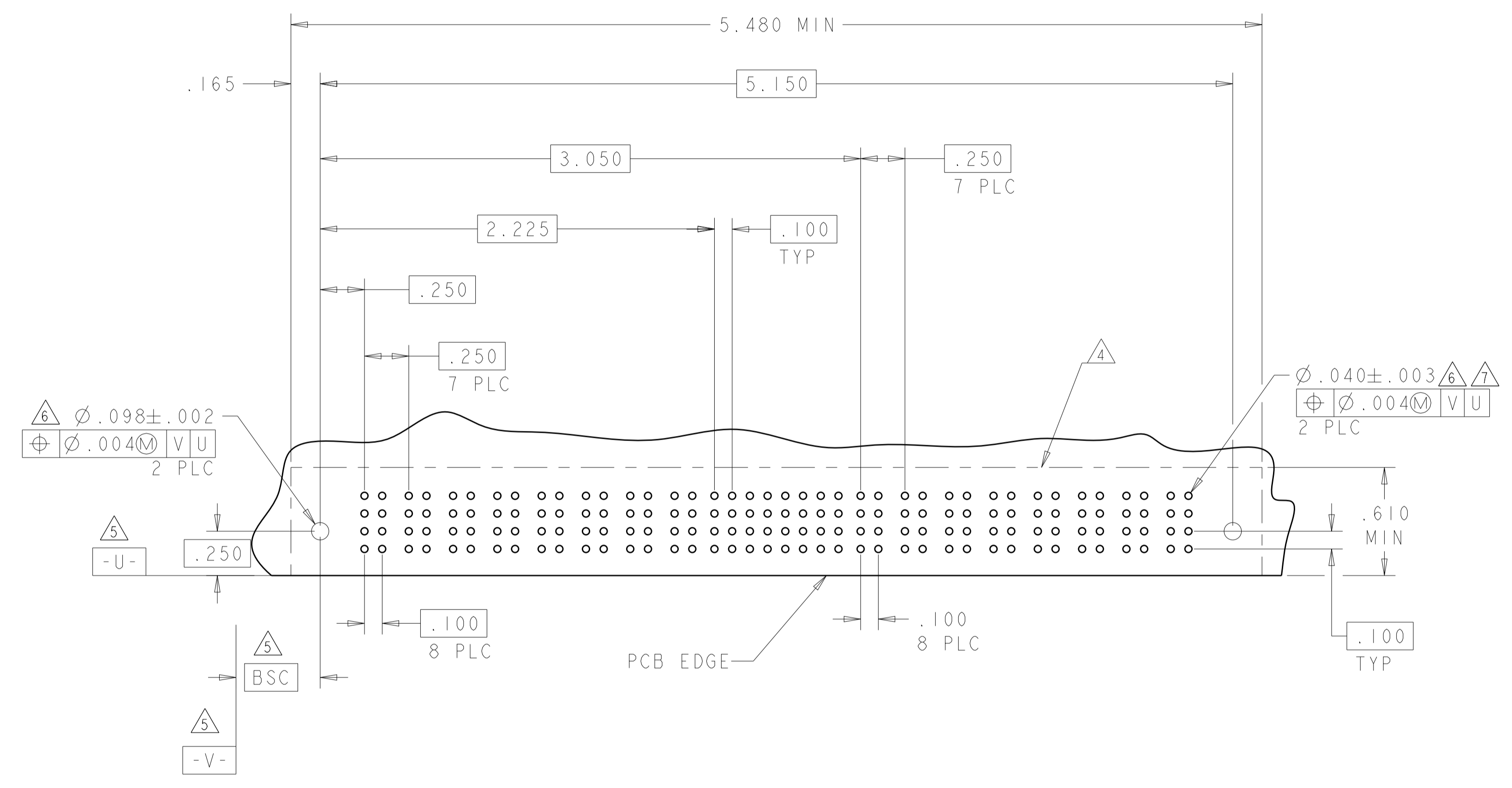
SIZE: A1  
 CAGE CODE: 6450560  
 DRAWING NO: 100779

DATE: 11/14/03  
 SCALE: 4:1  
 SHEET: 6 OF 7  
 REV: H3

TE Connectivity

LOC	DIST	REVISIONS			
P	LTN	DESCRIPTION	DATE	OWN	APVD
-	-	SEE SHEET 1	-	-	-

PART NUMBER	ROWS	POWER								SIGNAL								POWER							
		P16	P15	P14	P13	P12	P11	P10	P9	8	7	6	5	4	3	2	1	P8	P7	P6	P5	P4	P3	P2	P1
I-6450560-6	D C B A	RS	RS	RS	RS	RS	RS	RS	RS	D	D	D	D	D	D	D	D	RS	RS	RS	RS	RS	RS	RS	RS
		C	C	C	C	C	C	C	C	B	B	B	B	B	B	B	B	RS	RS	RS	RS	RS	RS	RS	RS
		B	B	B	B	B	B	B	B	A	A	A	A	A	A	A	A	RS	RS	RS	RS	RS	RS	RS	RS
		A	A	A	A	A	A	A	A																
8P + 32S + 8P		HD		HD		HD		HD		HD		HD		HD		HD		HD		HD		HD		HD	



THIS DRAWING IS A CONTROLLED DOCUMENT.

DWN: R. GRZYBOWSKI 09MAR05  
CHK: M. PERCHERKE 09MAR05

DIMENSIONS: INCHES

TOLERANCES UNLESS OTHERWISE SPECIFIED:

0 PLC	±
1 PLC	±.01
2 PLC	±.01
3 PLC	±.005
4 PLC	±.0020
ANGLES	±
FINISH	-

APVD: M. PERCHERKE

NAME: RIGHT ANGLE RECEPTACLE ASSEMBLY WITH GUIDES MULTI-BEAM XL

PRODUCT SPEC: 108-1973

APPLICATION SPEC: 114-13038

WEIGHT: -

Customer Drawing

SCALE: 4:1

SHEET 7 OF 7

REV: H3

RESTRICTED TO: -